

# Cargo Specs

## A321



[tapcargo.com](http://tapcargo.com)



**AIR CARGO**  
*Everything Delivered*

# A 321 Belly full capacity



**Forward hold**  
Max: 5,670 Kg

**Rear hold**  
Max: 5,670 Kg

**Bulk**  
Max: 800 Kg

**AKH/PKC Pallet**  
  
Max:  
3,5 CBM  
1,054Kg

**AKH/PKC Pallet**  
  
Max:  
3,5 CBM  
1,054Kg

**AKH/PKC Pallet**  
  
Max:  
3,5 CBM  
1,054Kg

**AKH/PKC Pallet**  
  
Max:  
3,5 CBM  
1,054Kg

**AKH/PKC Pallet**  
  
Max:  
3,5 CBM  
1,054Kg

**AKH/PKC Pallet**  
  
Max:  
3,5 CBM  
1,054Kg

**AKH/PKC Pallet**  
  
Max:  
3,5 CBM  
1,054Kg

**AKH/PKC Pallet**  
  
Max:  
3,5 CBM  
1,054Kg

**AKH/PKC Pallet**  
  
Max:  
3,5 CBM  
1,054Kg

**AKH/PKC Pallet**  
  
Max:  
3,5 CBM  
1,054Kg

**Bulk**  
  
Max:  
5,8 CBM  
800 Kg

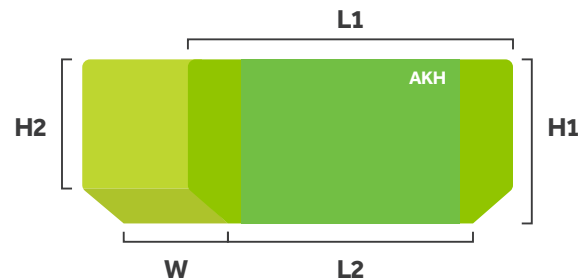
**Compartment 1**

**Compartment 2**

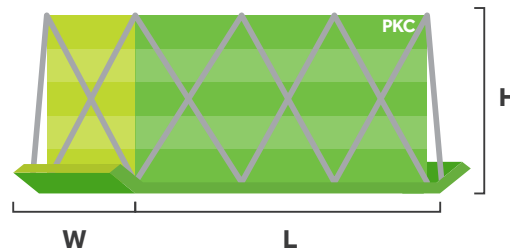
**Compartment 3**

**Compartment 4**

**Compartment 5**



**Use:** A321  
**Internal dimensions of the top:**  
 L 241 cm, W 144 cm, H 62 cm  
**Internal dimensions of the base:**  
 L 144 cm, W 142 cm  
**Dimensions of the door:** L 132 cm, H 109 cm  
**Storage volume:** 3 m<sup>3</sup>  
**Maximum weight:** 1,064 kg  
**Tare weight:** 70 kg



**Use:** A321  
**Internal dimensions of the top:**  
 L 250 cm, W 153 cm, H 65 cm  
**Internal dimensions of the base:**  
 L 156 cm, W 153 cm, H 115 cm  
**Storage volume:** 3,5 m<sup>3</sup>  
**Maximum weight:** 1,080 kg  
**Tare weight:** 54 kg

**ATT:**  
 MAXIMUM PAYLOAD AVAILABLE  
 21 tons and 100 CBM depending on designated route and operational constrains.

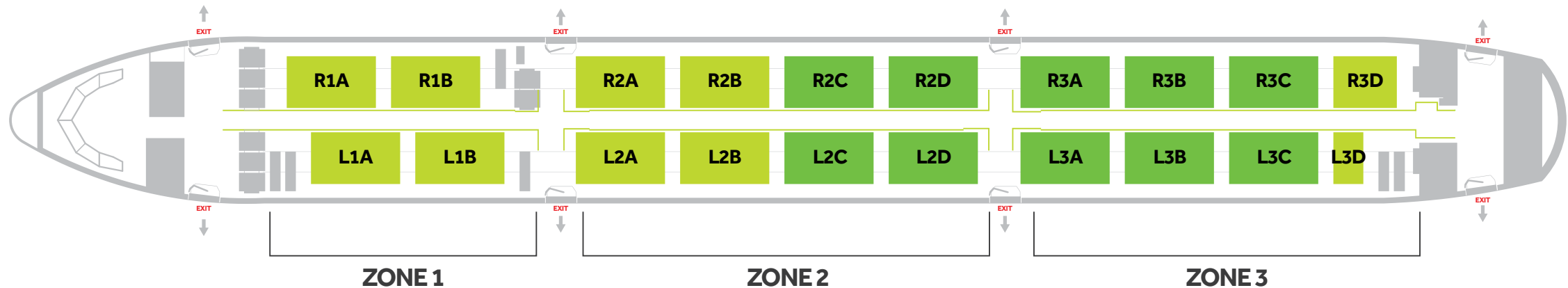
The measurements shown represent the actual size of the compartments. The transported cargo may not be able to reach the maximum volume of the compartments due to the size of the boxes. Small boxes maximize volumetry.

Max weight per position depends on cargo weight, dimensions and aircraft balance conditions.



# A 321 Cabin full capacity for light conversion (Chair removal)

Three (3) Cargo Compartment - Zone 1, Zone 2 & Zone 3 - are presented below:



NUMBER OF POSITION IN CABIN	POSITIONS REFERENCE	POSITION DIMENTIONS (cm)			POSITION VOLUMES (CBM)		
		POS Lenght	POS Width	POS Height	Position size	Nbr of positions	Total
9 Positions Left	POS. 1A, 1B, 2A, 2B, 2C, 2D, 3A, 3B, 3C	219,5 cm	127 cm	127 cm	3,54 CBM	9 Pos.	31,86 CBM
9 Positions Right	POS. 1A, 1B, 2A, 2B, 2C, 2D, 3A, 3B, 3C	219,5 cm	127 cm	127 cm	3,54 CBM	9 Pos.	31,86 CBM
1 Position Left	POS. 3D	73,2 cm	127 cm	127 cm	1,18 CBM	1Pos.	1,18 CBM
1 Position Right	POS. 3D	1,56 cm	127cm	127 cm	2,7 CBM	1Pos.	2,52 CBM
Each box/package on cabin can't exceed 35 Kg		<b>Total (Max nominal, depends on box sizes)</b>				<b>20 Pos.</b>	<b>67,42 CBM</b>

# Thank You

[tapcargo.com](http://tapcargo.com)

**TAP** AIR CARGO  
*Everything Delivered*